

The Gastronics Fixed Instrument Skid is a Direct-Reading Instrument (DRI) consisting of a transportable integrated set of gas sensors and meteorological instruments that provide real-time gas measurements for ammonia, volatile organic compounds (VOCs), and nitrous oxide as well as directional wind data. The system is designed for long-term outdoor use and includes optional alarm signals, solar/battery power and wireless data transmission.

Built specifically for Hanford tank farm use, 25 units are deployed in and around potential vapor-release points in the A and AP tank farms to detect chemical vapors. Wind speed and direction measurements will be used to understand dispersion of chemical vapors and improve the accuracy of dispersion models improve the accuracy of vapor-dispersion models.

The data will be transmitted wirelessly to a central location.

Features:

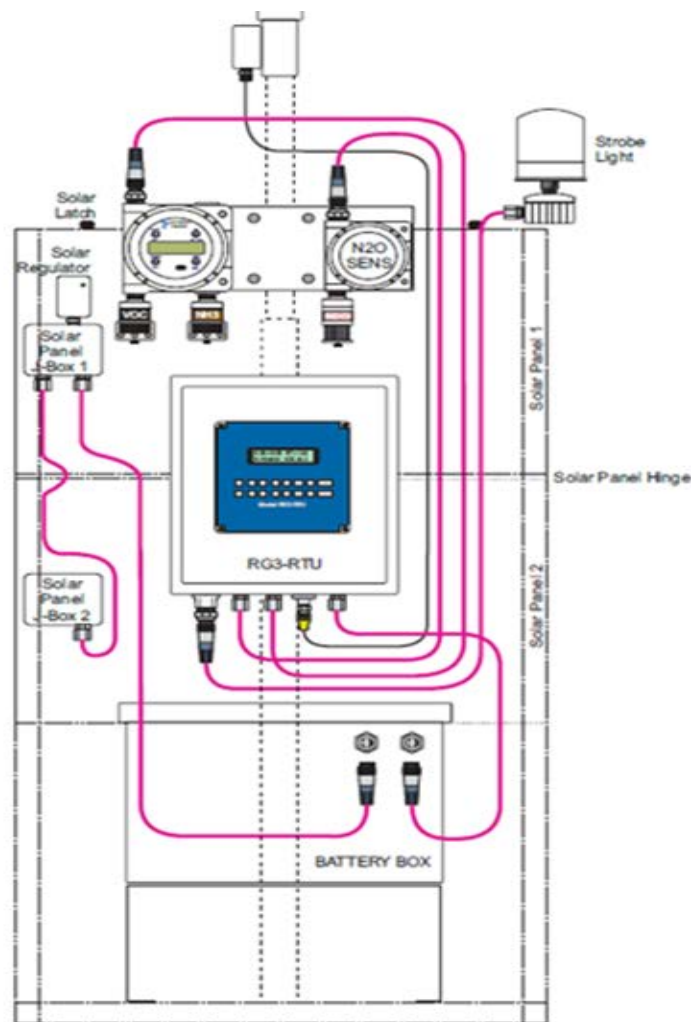
- Solar power/battery system
- Real-time data transmission via WiFi
- Three chemical sensors -- VOCs, ammonia, nitrous oxide
- Six 3-D anemometer and 19 2-D anemometer units



Weatherproof enclosure with solar panel and meteorological sensors.

Direct-Reading Instrument for:

- VOCs -- 10.6 eV PID
- Ammonia
- Nitrous Oxide (N₂O)
- Directional Wind Data



Rugged design with electronics protected by weatherproof enclosure.

Contact:
WRPS External Affairs
wrpsadmin@rl.gov

For more information:
www.hanfordvapors.com
www.wrpstoc.com



washingtonriver
protectionsolutions